

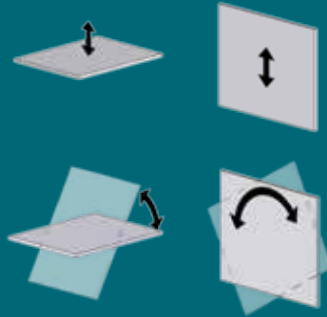
DC QUADRA-TILT ROTATORS 900 & 1100



In addition to Powr-Grip's® innovative Quadra-Tilt linkage, this DC-powered vacuum lifter features a dual vacuum system and power loss warning buzzer for added safety, a high-flow vacuum pump and blow-off for greater productivity, and reduced power consumption for extended time on the jobsite

MRTA611LDC2
 1100 lbs [500 kg]

MRTA6FS10TDC2
 900 lbs [410 kg]



	MRTA611LDC2	MRTA6FS10TDC2
Standard Pad Spread (See Frame Configurations and Capacities.)	Minimum Width: 12½" [32 cm] Maximum Width: 58¾" [149 cm] Minimum Length: 46¾" [119 cm] Maximum Length: 104½" [266 cm]	Minimum Width: 12¼" [31 cm] Maximum Width: 58½" [149 cm] Minimum Length: 46½" [118 cm] Maximum Length: 104¼" [265 cm]
Number / Size of Pads	6 / 11" [28 cm] dia. lipped vacuum pads	6 / 10" [25 cm] dia. vacuum pads, with replaceable closed-cell foam rings
Maximum Load Capacity (On smooth, nonporous surfaces. Please contact us for recommendations on other surfaces.)	1100 lbs [500 kg]	900 lbs [410 kg]
Unit Weight	180 lbs [82 kg]	
Standard Operating Power	12 volts DC, 4.5 amps	
Load Movement	Manual rotation, 360° edgewise, with locking positions. Assisted manual tilt, 90° between upright and flat	
Standard Features	<ul style="list-style-type: none"> Dual vacuum system High-flow vacuum pump On-board battery and charger Battery energy gauge Low vacuum warning buzzer Power loss warning buzzer Green lift light Vacuum gauges Vacuum line filters Vacuum reserve tanks Spring-mounted vacuum pads (Re)movable vacuum pad mounts Vacuum pad extension arms Tilt locks Blow-off for quick release 	
Available Options	<ul style="list-style-type: none"> Movable control pendant (EO9RP) Remote control system (EO8RC1) Forklift adapter (LB7FAO2S) Adjustable lift bar extension (LB12AEO) Extensions for movable pad mounts (CM6MEVL) Pad frame T-arm assemblies (CF13CEO) MRTA6 Shipping case (53007) Alternative vacuum pads**: <ul style="list-style-type: none"> 9" [23 cm] diameter vacuum pad (VPFS9) 10" [25 cm] dia. concave vacuum pad (G0750) (*Specifications not as listed above. Please contact us for more information.) Alternative vacuum pad compounds, including ones for low-marking, temperature resistant and coated surface applications 	
Design Standards (See www.WPG.com for more information.)	ASME B30.20-2006 (BTH-1 Design Category "B", Service Class "0") CE AS 4991-2004	

**THE ORIGINAL
 & TRUSTED NAME
 IN VACUUM LIFTING
 EQUIPMENT**



908 West Main - P.O. Box 368
 Laurel, Montana 59044 U.S.A.
 406.628.8231 (phone)
 406.628.8354 (fax)

800.548.7341
www.WPG.com



Products are manufactured under an ISO 9001 quality management system

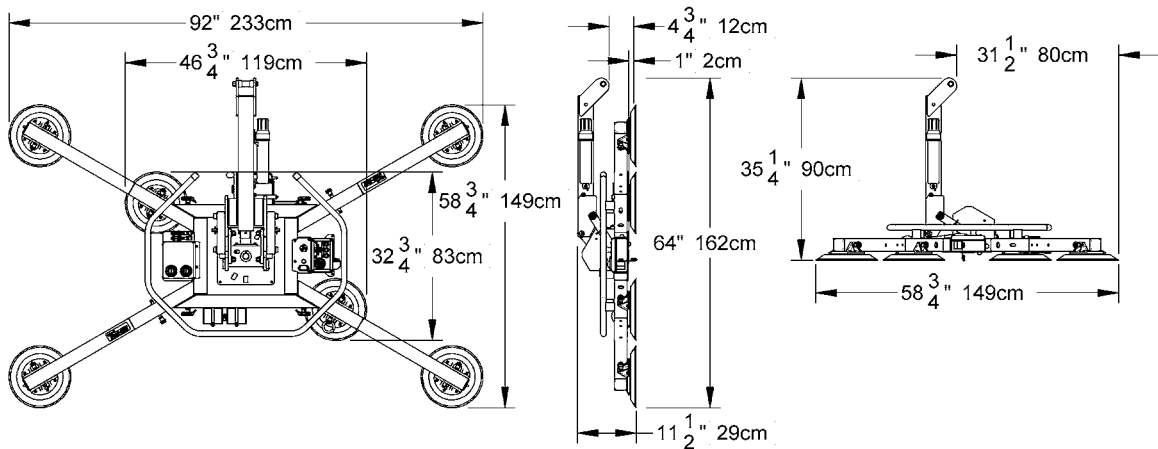
Wood's Powr-Grip products are sold through authorized dealers.

Environmental conditions can affect product performance and longevity; consult the product instructions on www.WPG.com or contact a Technical Sales Representative for more information.
 Based on product information at time of publication.

The Quadra-Tilt Vacuum Lifters feature an innovative four-bar tilt mechanism that significantly reduces the effort of tilting heavy loads between flat and upright positions. This tilt mechanism also reduces hazards associated with lifting loads from upright racks: When a load is tilted to either the upright or the flat position, the vacuum lifter maintains the load position automatically without using latches, eliminating the tendency for a load to “kick back” at the operator’s knees.

The MRTA6-DC2 vacuum lifters also feature Powr-Grip’s Dual Vacuum System, 360° manual rotation, (re)movable vacuum pads and extension arms that accommodate a variety of load sizes and shapes.

Dual Vacuum System (DVS) features two completely independent vacuum circuits, allowing the vacuum lifter to maintain the vacuum level for one circuit even if an unexpected vacuum loss occurs in the other one. DVS is designed to reduce the risk of falling loads, which could otherwise result from material breakage or accidents that compromise one area of the vacuum system. In addition, DVS features audible and visible alarms that warn the operator whenever the vacuum level is not sufficient for lifting the maximum load weight. Originally designed to comply with CE Standard EN 13155, this system provides additional security in any setting.



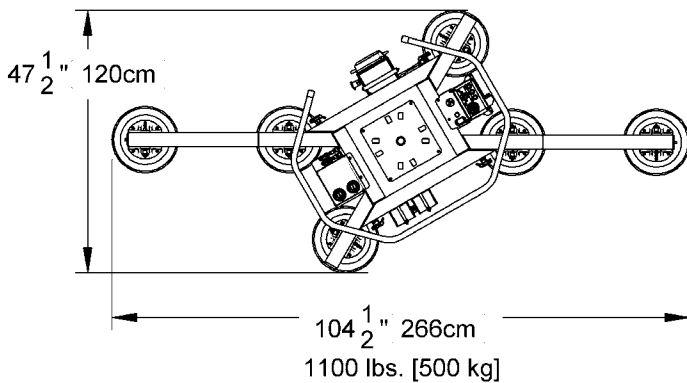
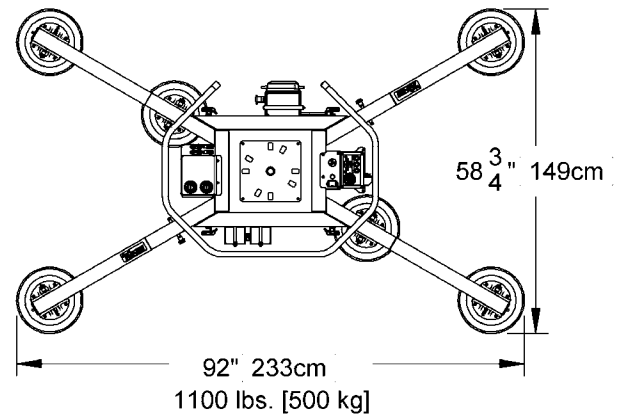
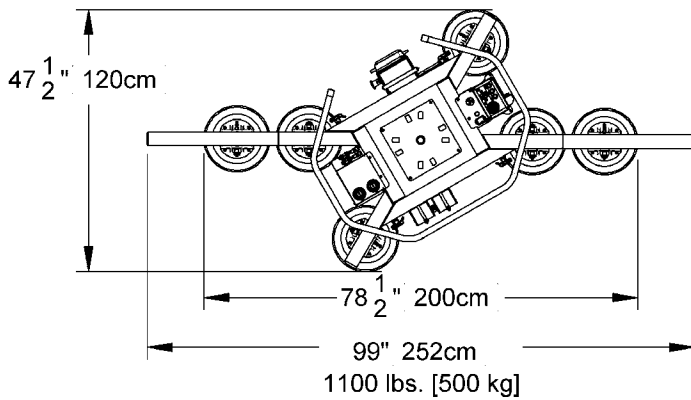
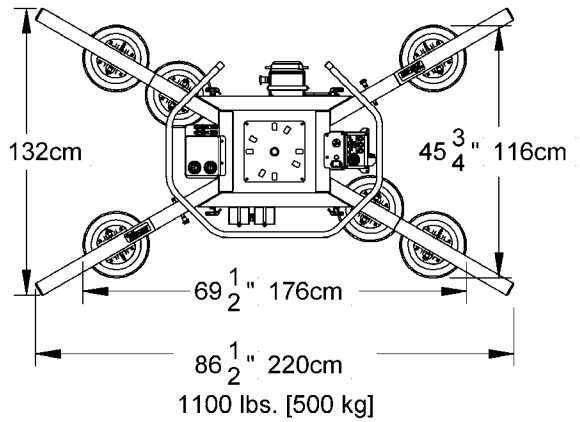
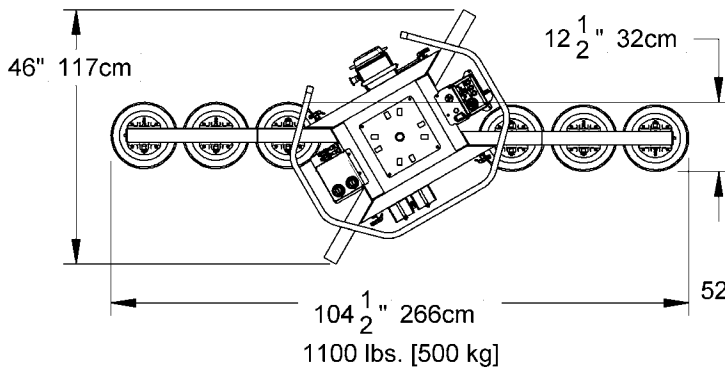
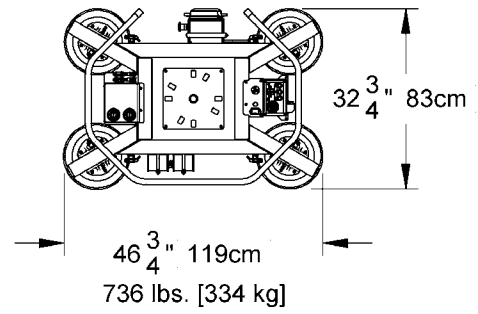
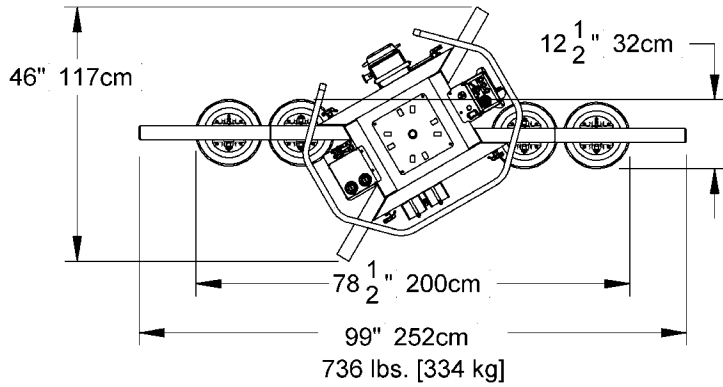
SHIPPING CASE FOR MRTA VACUUM LIFTER

(vacuum lifter and case sold separately)

- Designed specifically for shipping and storing Powr-Grip® MRTA Vacuum Lifters.
- Made from 100% recycled HDPE plastic, features twin sheet, thermo-formed construction, making it very durable, as well as water-resistant.
- Special area to house extension arms for these lifters.
- Internal nylon straps to hold the lifter and extension arms firmly in place, preventing them from rattling around while in transit.
- Exterior rubber straps to hold the case securely closed during shipping.
- Handles molded into the case enable convenient handling.
- Mounting points inside the lid of the case enable the hanging of up to 4 extra vacuum pads.
- Ribbed exterior of case specifically designed for easy stacking of multiple lifters (up to 4).
- Wheels on one end make short distance movement of the lifter manageable by one individual.
- Grooves on the bottom of the case facilitate forklift handling from all four sides.



FRAME CONFIGURATIONS AND CAPACITIES



FORKLIFT ADAPTER LB7FAO2S

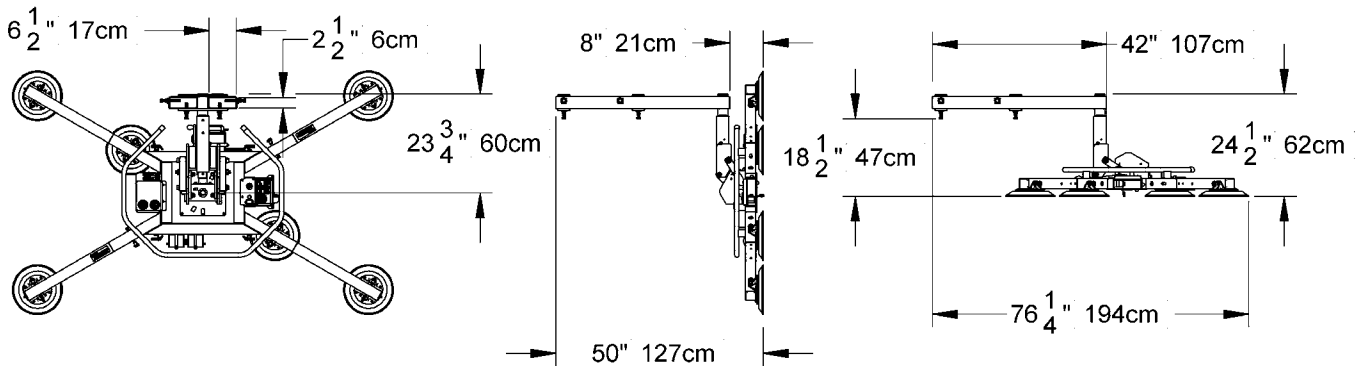
Available for Powr-Grip's MRTA6-DC2 Vacuum Lifters, this Forklift Adapter is designed for applications where a forklift is desired, such as installations under eaves and commercial, indoor applications, where using a crane is not possible.

Compatible Fork Dimensions	1-1/2" to 2-1/4" [38-57 mm] thick and 4" to 6" [102-152 mm] wide
Inside Fork Spread	4" [102 mm]
Maximum Load Capacity	1100 lbs [500 kg] when used with MRTA611LDC2*
Maximum Load Thickness	1" [25 mm] at full capacity

*The forklift must have sufficient capacity for the combined weight of the lifter and its maximum load when the load is located 9-3/4" [247 mm] outward from the fork tips or 51-3/4" [1314 mm] outward from the fork stops, whichever places the load at a greater distance from the forklift's front wheels.



Model MRTA611LDC2 vacuum lifter equipped with Forklift Adapter LB7FAO2.



ADJUSTABLE LIFT BAR EXTENSION LB12AEO

Available for MRTA6-DC2 Quadra-Tilt Rotators from Wood's Powr-Grip, the Adjustable Lift Bar Extension provides maximum flexibility to adjust the hang angle of the vacuum lifter, whether loaded or unloaded. A different hang angle may be desirable, depending on the angle that the operator needs, in order to attach the vacuum lifter to a load, release the load or manipulate the load during a lift. With two different length adjustments and five different lift points, this telescoping extension enables the operator to tailor the hang angle precisely for the intended use. This ability to adjust the vacuum lifter for each job is sure to improve efficiency, safety and worker satisfaction. The Adjustable Lift Bar Extension may be purchased as a standard option for your new MRTA6-DC2 Vacuum Lifter or retrofitted to existing equipment.

