



# **OFFROAD 880**

## **Glazing Robot**



Max Load  
**880 lbs**

Vertical  
Working Height  
**12' 3"**

Max  
Overhead Height  
**14' 1"**



**MAVLift.com**



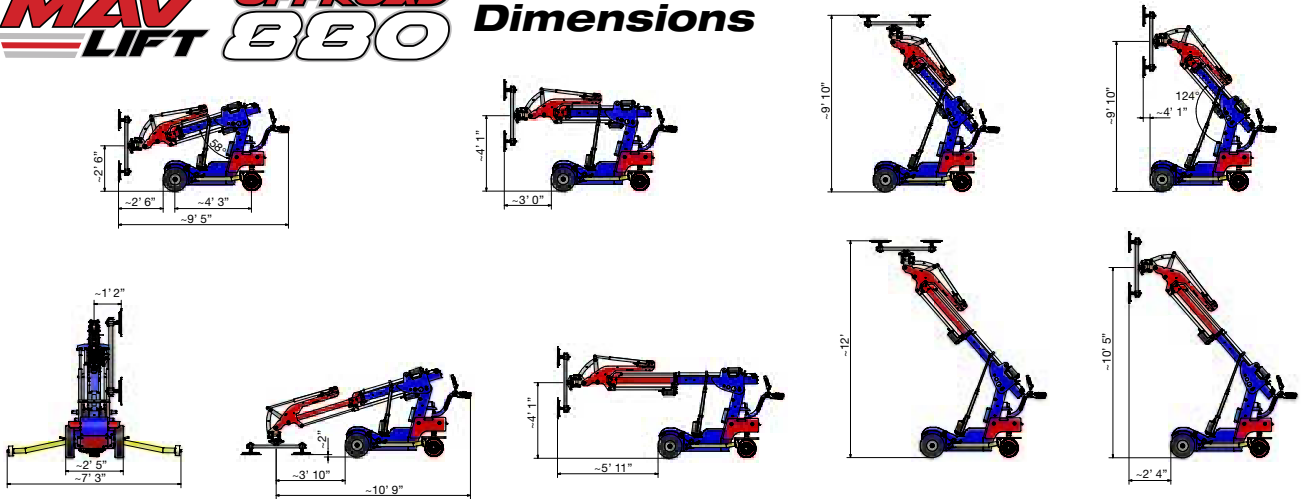
When your project requires a slightly larger unit, the MAVLift 880 is ready for service. Offering the MAVLift's signature Synchronous Controls that keep the suction unit at a constant inclination angle automatically, the MAVLift 880 performs with precision while lifting up to 880 lbs on a compact chassis measuring less than 3 feet across.

Add the optional boom extension and you now have a precision robot that can install glass at heights of almost 14 feet overhead.

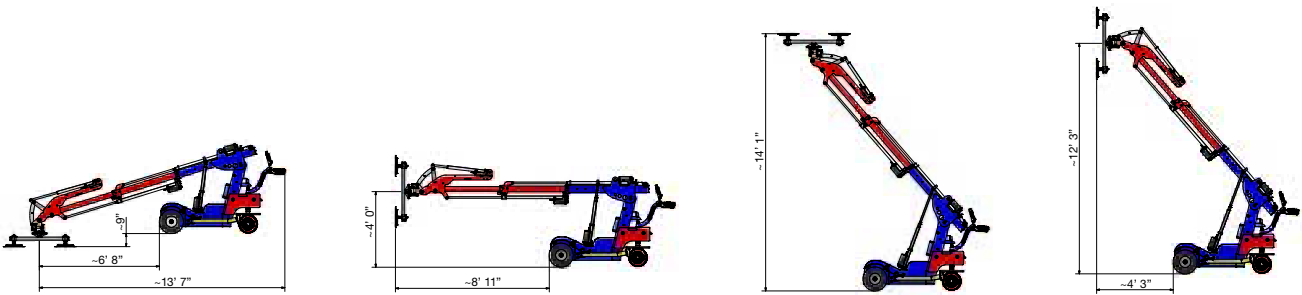
With a variety of optional features and accessories, customize your MAVLift 880 into a smart lifting robot that works for you!

# Dimensions

## MAV OFFROAD LIFT 880 Dimensions

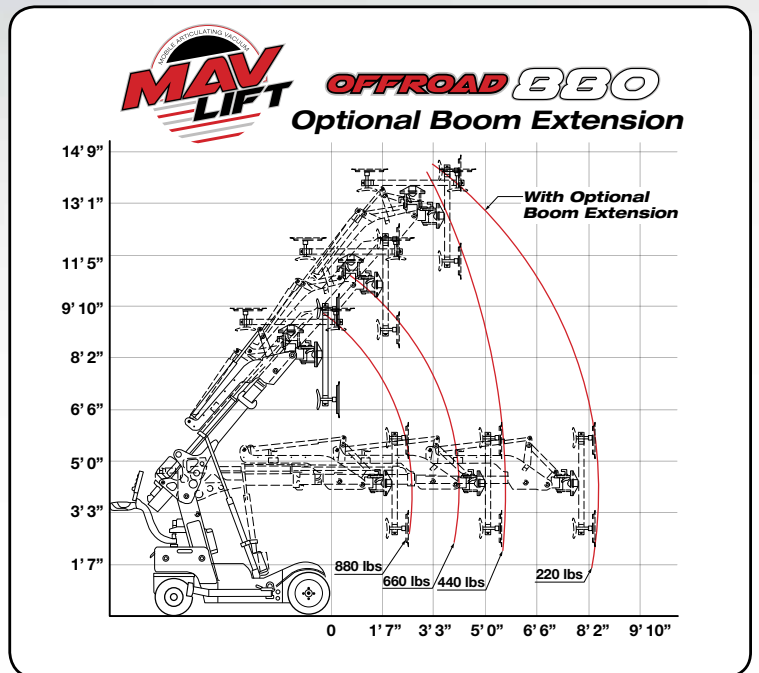
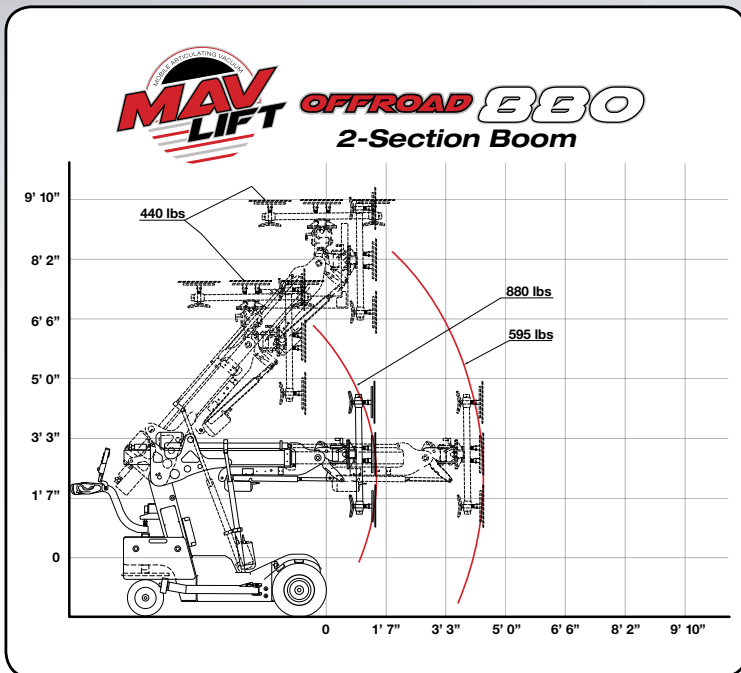


## Dimensions with Optional Boom Extension





# Rated Load Chart



(Optional)





# OFFROAD 880

## Specifications

### Technical Data

Max Load Capacity	880 lbs
Machine Weight (Without Counterweights)	1336 lbs
Machine Weight (With removable Counterweights installed)	2022 lbs
Jib Angle	125°
Maximum Permitted Slope	17°
Powered Lateral Sideshift	4"
Power Requirements	Battery: 110v/240v Charger Pump: 12v DC
Vacuum System	2 Vacuum Pumps 4 Cups

### Standard Features

- Lifting Unit electrically turns in all directions and telescopes to the front
- Synchronous Controls- automatically keeps a constant inclination angle of vacuum unit
- Advanced Articulated Joint- Allows for additional electric articulation of suction unit so it may swivel from the horizontal plane to overhead
- Adjustable Suction Frame
- Wired Remote Control
- Suitable for Overhead Lifting
- 4" Lateral Sideshift (left and right)
- 180° Suction Unit Rotation (manual left and right)
- 90° Slew of Vacuum Unit (left and right)
- Dual Vacuum Circuit with two pumps and two Vacuum Reserve Tanks
- Robotic Arm powered by electric actuators for precision control
- Operates on two 12v DC Rechargeable Batteries or while plugged into standard outlet

### Safety Features

- Overload Switch
- Stop Switch
- Vacuum Lost/Overloading Indicator

### Accessories

- Load Forks - Utilize your MAVLift for material handling
- Hook Adapter - Remove the cup system and add a lifting hook to your MAVLift
- Forklift Platform - Utilize your MAVLift as an extension of your forklift
- LED Light - LED with magnetic socket powered by the MAVLift's battery pack
- Loading Ramp - 8' x 3' load ramps for easy loading into a transport vehicle or trailer (2200 lbs max capacity)
- Weather Cover for MAVLift Offroad 880

### Optional Features

- Electrical Rotation +/- 45° – In addition the unit can manually rotated 360° and fixable in four position- must be combined with Advanced Articulated Joint
- Electrical Slewing +/- 90° – Electrically powered slewing of suction frame- not combinable with electrical rotation- must be combined with Advanced Articulated Joint
- Electrical Additional Boom Extension- Adds 3' of electrically actuated Boom- must be combined with Advanced Articulated Joint
- Manual Boom Extension- Adds 3' of additional boom that is manually actuated with 5 pin positions

*Product specifications are subject to change without notice. No specific training or license is required to operate the MAVLift in most areas, but operators are responsible for knowing and meeting all safety requirements and regulations. Not responsible for content errors.*



**MAVLift.com**