

RATED LOAD CHART

BOOM STAGE 1

WORKING RADIUS (ft)		-7	.5	1.7	2.4
RATED	STABILIZERS EXTENDED	5070	5070	4250	3920
LOAD (lbs)	STABILIZERS STORED	1950	1735	1730	1215

BOOM STAGE 2

WORKING RADIUS (ft)		2.4	4.3	5.5	6.4	6.8	7
RATED	STABILIZERS EXTENDED	3626	2518	1880	1568	1470	1410
LOAD (lbs)	STABILIZERS STORED	1207	1169	1055	887	874	650

BOOM STAGE 3

WORKING RADIUS (ft)		5.6	7.3	9.3	10.6	11.3	11.6
RATED	STABILIZERS EXTENDED	1840	1294	1040	886	790	790
LOAD (lbs)	STABILIZERS STORED	805	680	622	584	495	445

BOOM STAGE 4

WORKING RADIUS (ft)		10.2	11.5	12.9	14.3	16.1	17.2
RATED	STABILIZERS EXTENDED	700	682	637	596	487	415
LOAD (lbs)	STABILIZERS STORED	N/A	N/A	N/A	N/A	N/A	N/A

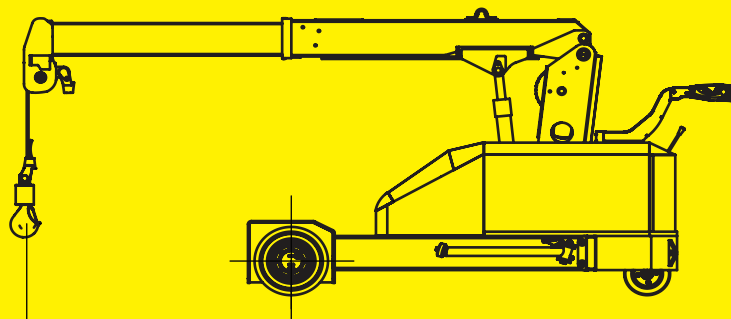
BOOM STAGE 5

WORKING RADIUS (ft)		10.2	12.8	15.3	15.9	17.3	18.7
RATED	STABILIZERS EXTENDED	700	605	565	538	496	418
LOAD (lbs)	STABILIZERS STORED	N/A	N/A	N/A	N/A	N/A	N/A



CAUTION RATED LOAD

- The weight of the hook block, rigging, and wire rope **MUST BE DEDUCTED** from the Rated Load to determine the **NET-RATED** Load Capacity of the crane; for the PC295 the **STANDARD DEDUCTION** is 70 lbs.
- The Rated Load Values depicted on this chart assumes that the PC295 is on level ground with its boom configured for the indicated Working Radius. Boom Deflection and crane structural design limits are also considered.
- Boom Section 2 extends individually; if **ANY AMOUNT** of Boom Section 2 is extended out of Boom Section 1, the PC295 is in Boom Stage 2.
- Boom Section 3 extends individually; if **ANY AMOUNT** of Boom Section 3 is extended out of Boom Section 2, the PC295 is in Boom Stage 3.
- Once Section 3 is fully extended, Sections 4 and 5 will extend together; if **ANY AMOUNT** of Sections 4 and 5 are extended out of Section 3, the PC295 is in Boom Stage 4.
- Once the Stage 5 Hash Mark is visible (a white line painted on the sides of Section 4) is visible, the PC295 is in Boom Stage 5.
- If using the PC295 with Boom Stage 4, the Stabilizers **MUST** be **EXTENDED**; the PC295 will disable crane functions if the PC295 is in Boom Stage 4 with its Stabilizers **STORED**.



WORKING RADIUS IS MEASURED FROM CENTER OF FRONT WHEELS TO THE CENTER OF SUSPENDED LOAD